

INFINITY



WATER CLOSET

PRODUCT ID

RB.INF.03G209.01.07

A VITREOUS CHINA WALL HUNG, BACK TO WALL WATER CLOSET SUITE, FEATURING A WASH DOWN 4.5/3 LITRE CONCEALED DUAL FLUSHING SYSTEM.

FEATURES

- VITREOUS CHINA WALL HUNG WATER CLOSET
- CONTEMPORARY DESIGN
- CONCEALED FLUSHING MECHANISM WITH DUO WATER SAVING BUTTONS
- FULLY GLAZED TRAP WAY
- 100% FACTORY VACUUM TESTED

INCLUDED COMPONENTS

- Seat and cover

WARRANTY

- 25 year written warranty against crazing and dunting

STANDARDS APPLICABLE

- Specified model meets or exceeds the following:
- BS 3402 :1969
 - AS 1976 : 1992
 - BS EN 997 : 2018
 - AS 1172 : 2014
 - BS EN 33 : 2019
 - BS EN 14055 : 2018

SEAT AND SEAT COVER

Product ID - Duraplex : RB.TIF.OPA661.DU.01

- Ergonomically designed duraplex seat and cover with soft closing and quick release mechanism
- Soft close (controlled seat fall) – the seat cover closes slowly with no intervention by the user
- Seat and cover are strong, burn and scratch resistant, totally water proof
- Stainless steel hinges
- Quick release mechanism with lift off hinge design for easy cleaning
- UV protection



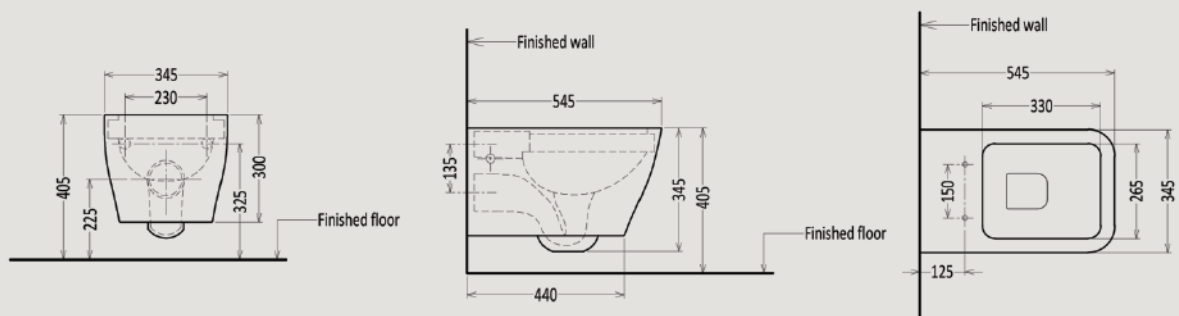
TECHNICAL INFORMATION

** Approximate measurements for comparison only

| CONFIGURATION | WALL HUNG WATER CLOSET |
|--|--|
| Water per flush | 4.5L of water for solid waste and 3L of water for liquid waste |
| Water depth from rim | 215 mm |
| Trap Diameter | 97-102 mm |
| Distance from floor to waste outlet centre | 220 mm |
| Distance between seat post hole centres | 150 mm |
| Weight (WC + tank) | 28 kg |
| Bowl Size | 330 X 265 X 140 mm |
| Nominal Dimensions | 545 X 345 X 295 mm |

TECHNICAL DRAWINGS

All drawings contain the necessary measurements, which are subject to standard tolerances. They are stated in mm, are drawn on a scale of 1:20 and are non-binding. Exact measurements, in particular for customized installation scenarios, can only be taken from the finished ceramic piece.



INSTALLATION NOTES

- 97 - 107 mm waste outlet is required for this installation. Waste out let fittings are included within concealed tank unit.
- Install this product according to the installation guide bellow or scan for instructions

